

Document Links:

[Sepsis Instrument](#)

REVSTAT

REVIEW STATUS (not abstracted)
 0. Abstraction has not begun
 1. Abstraction in progress
 2. Abstraction completed w/o errors
 3. Cohort validation failure (exclusion)
 4. Record contains missing data
 5. Administrative exclusion from all measures

AGE

Calculated field – ADMDT - BIRTHDT

DCDT

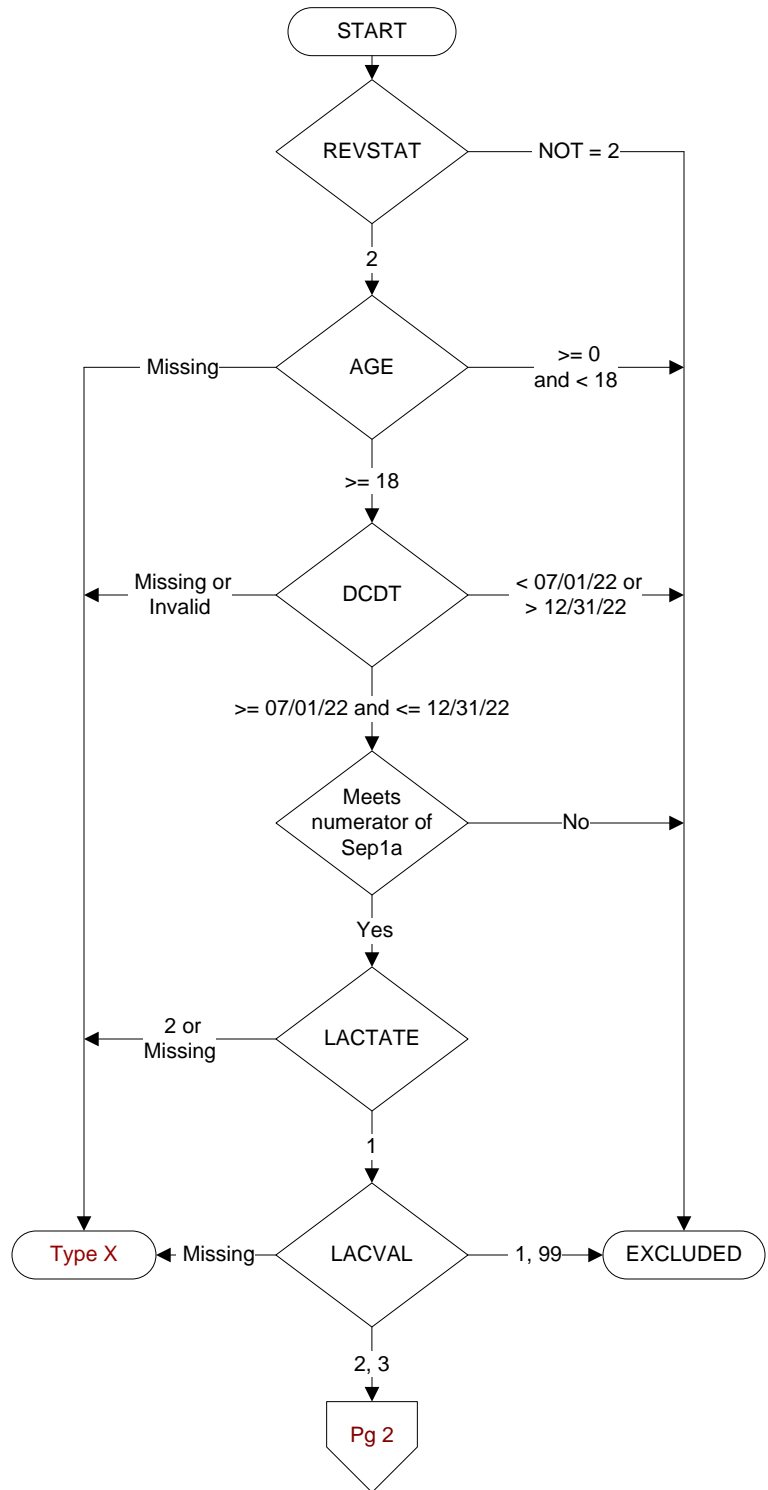
Discharge date

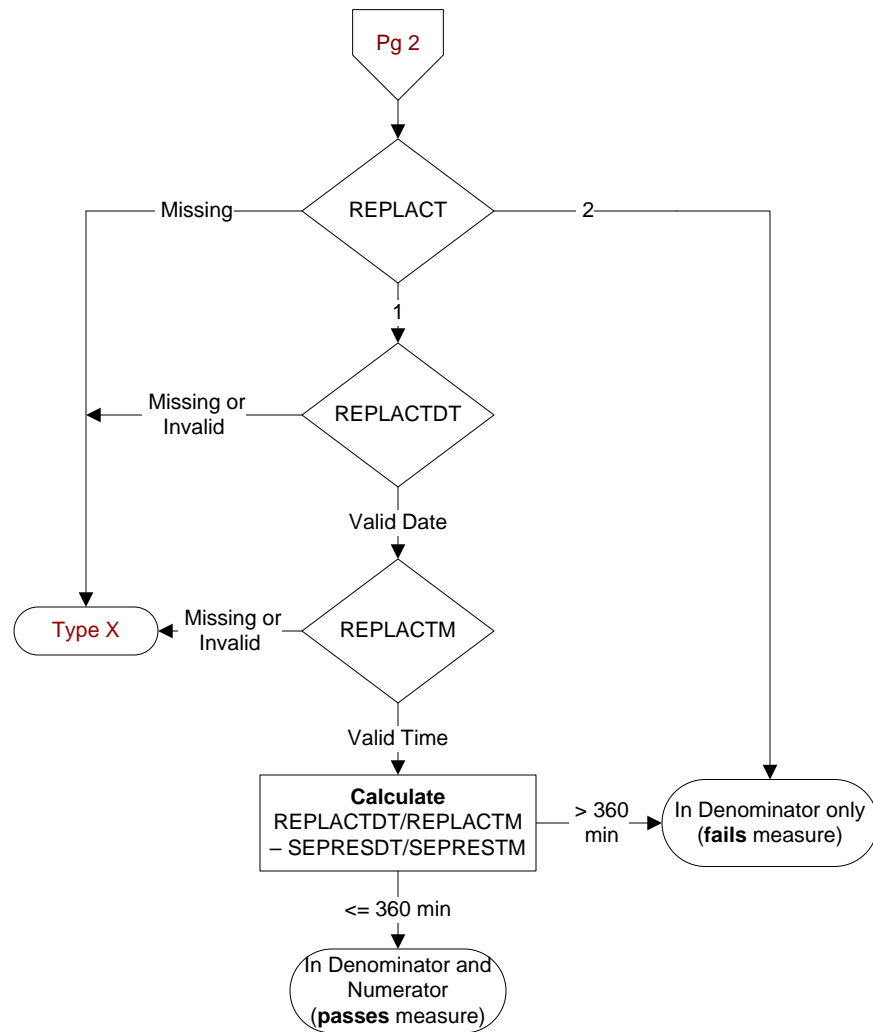
LACTATE

During the timeframe from (computer display sepresdt/seprestm - 6 hours to sepresdt/seprestm + 3 hours) was an initial lactate level drawn (or collected)?
 1. Yes
 2. No

LACVAL

What initial lactate level result was documented in the record?
 1. ≤ 2 mmol/L (less than or equal to 2 mmol/L)
 2. > 2 and < 4.0 mmol/L (greater than 2 mmol/L and less than 4 mmol/L)
 3. ≥ 4 mmol/L (4 mmol/L or greater)
 99. Initial lactate result was not documented or unable to determine result





REPLACT
 During the timeframe from (computer display sepresdt/seprestm to sepresdt/seprestm +6 hours) was a repeat lactate level drawn?
 1. Yes
 2. No

SEPRESDT
 Computer to auto-fill earliest valid date entered in sepdt or sepsisd.

REPLACTDT / REPLACTM
 During the timeframe from (computer to display lacdt/lactm to sepresdt/seprestm + 6 hours), enter the earliest date and time the repeat lactate level was drawn (or collected).

SEPRESTM
 Computer to auto-fill earliest valid time entered in septm or sepsistm.